

LTA PERFORMANCE GT#-5592/RA

LTA Heat Rejection:	11539 <i>BTU/Min</i>	Flow Height:	93.88 <i>in.</i>
(Safety Factor)	15 %	No-Flow Height:	85.00 <i>in.</i>
Flow Rate:	79 <i>GPM</i>	Core Depth:	2.47 <i>in.</i>
Fluid Type:	0/100 <i>Glycol/H₂O</i>	Core Type:	N4090
Fluid Temperature In:	147.8 <i>F</i>		Copper, 9.0 <i>FPI</i>
Fluid Temperature Out:	130.0 <i>F</i>		Non-Louvered, Dimpled
Ambient Temperature:	110.0 <i>F</i>		Plate Fin
Cooling Air Temperature In:	120.0 <i>F</i>	No. of Passes:	2
Cooling Air Temperature Out:	127.1 <i>F</i>		
Internal Pressure Drop @ Design Point:	3.2 <i>PSI</i>		
Cooling Air Flow Required:	89850 <i>SCFM @</i>	0.61 <i>in- H₂O</i>	
Limiting Ambient Temperature:	110 <i>F</i>		

JW PERFORMANCE GT#-5592/RJ

JW Heat Rejection:	58210 <i>BTU/Min</i>	Flow Height:	93.88 <i>in.</i>
(Safety Factor)	15 %	No-Flow Height:	85.00 <i>in.</i>
Flow Rate:	450 <i>GPM</i>	Core Depth:	6.00 <i>in.</i>
Fluid Type:	0/100 <i>Glycol/H₂O</i>	Core Type:	H8105
Fluid Temperature In:	180.0 <i>F</i>		Copper, 10.5 <i>FPI</i>
Fluid Temperature Out:	164.1 <i>F</i>		Non-Louvered, Dimpled
Ambient Temperature:	110.0 <i>F</i>		Plate Fin
Cooling Air Temperature In:	127.1 <i>F</i>	No. of Passes:	1
Cooling Air Temperature Out:	162.9 <i>F</i>		
Internal Pressure Drop @ Design Point:	4.1 <i>PSI</i>		
Cooling Air Flow Required:	89850 <i>SCFM @</i>	1.79 <i>in- H₂O</i>	
Limiting Ambient Temperature:	110.0 <i>F</i>		

FAN DATA²

Fan Manufacturer:	WACO	External Static	0.50 <i>in- H₂O</i>
Fan Model:	9-72-WHISPR RP22	Elevation	500 <i>ft.</i>
Fan Diameter:	72 <i>in.</i>	Blade Angle	18 °
Number of Blades:	9	Fan Speed:	954 <i>RPM</i>
Draft Type:	Blower	Fan Tip Speed:	17982 <i>FPM</i>
Match Point Air Flow:	99500 <i>SCFM @</i> 3.35 <i>in- H₂O</i>	Drive Type	Belt
Theoretical Air Flow:	89850 <i>SCFM @</i> 2.90 <i>in- H₂O</i>	Drive Ratio	0.795:1
Fan Derate:	0.90	Fan Power Draw	88.9 <i>HP @ Std.</i>
Noise³:	88.9 <i>dBa @25ft</i>		79.7 <i>HP @ Design</i>

² Multi-Wing America has provided their sizing program to General ThermoDynamics for general use and assistance with our Mutual Customers. The performance enclosed is contingent upon Multi-Wing America verifying fan performance upon order placement.

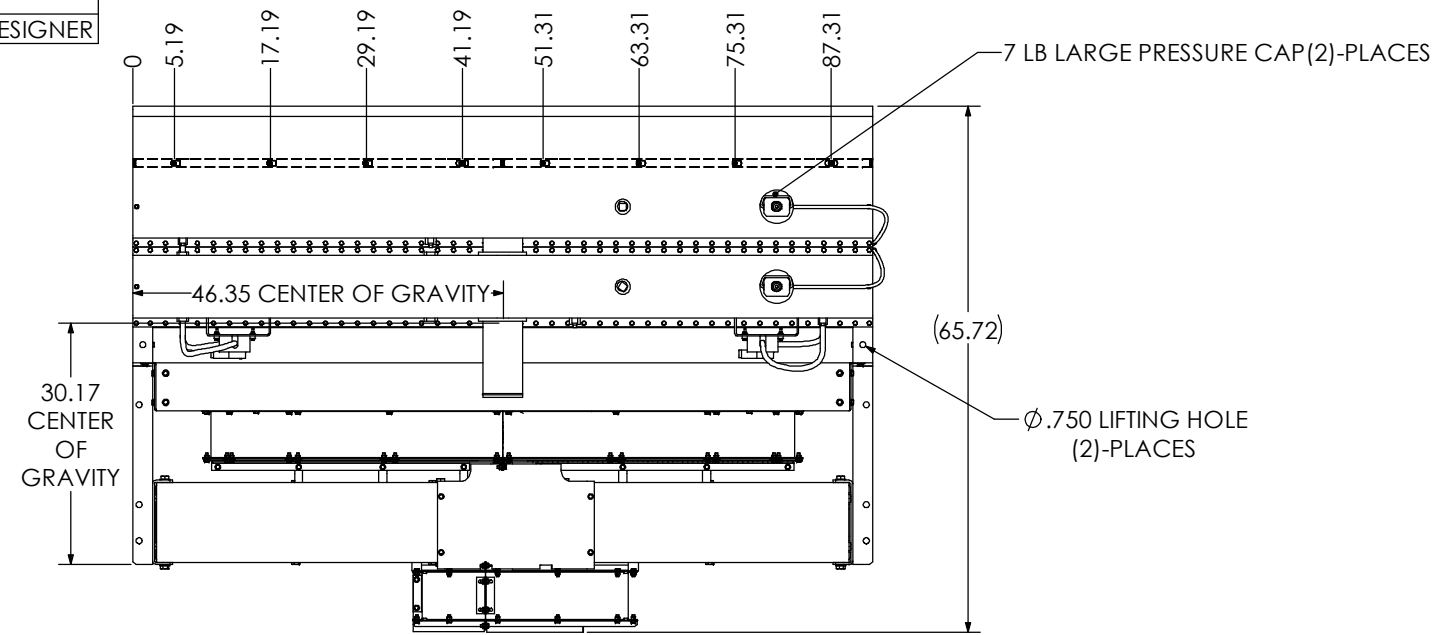
³ Fan only, free field; Radiator system typically adds 3 dBA to 10 dBA depending on installation site.

MISCELLANEOUS

- Unit been sized with 110 deg F ambient + 10 deg F for a 120 deg F ambient to after cooler cores. Any additional temperature rise above 10 deg F may be detrimental to this system's performance.
- JW Flow Rate of 450 GPM, JW Top Tank Temperature of 180 deg F, and a calculated JW heat rejection of 50617 BTU/MIN was taken from the Waukesha VHP Series Four Gas Engine Extender Series Performance Datasheet Bulletin 7058 0710) and Water Jacket Pump Curve Ref Number 5136-34 dated 4/01.
- AC Flow Rate of 79 GPM, AC Bottom Tank Temperature of 130 deg F, and calculated AC heat rejection of 10,034 BTU/MIN was taken from VHP Series Four Gas Engine Extender Series Performance Datasheet Bulletin 7058 0710) and Auxiliary Pump Curve Ref Number 6543-36 dated 7/99.
- Estimated overall dimensions are 115.32"H x 92.50" W x 60.00"D (includes core guards, sides, and tanks)
- JW and LTA heat rejections include 15% safety factor.
- Cooler configuration is stacked core arrangement with top to bottom connections.
- Unit was sized for multi-unit application where the unit must be 1.5 fan diameter spacing between other units.
- The total External static pressure loss used is 0.50" H2O for engine restrictions. Any additional pressure losses exceeding 0.50" will cause cooling performance deficiencies

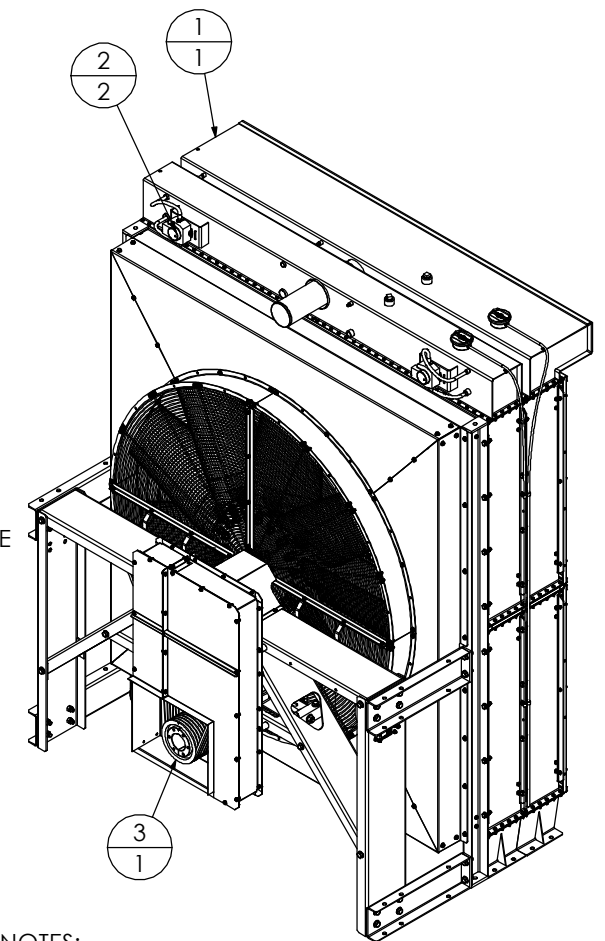
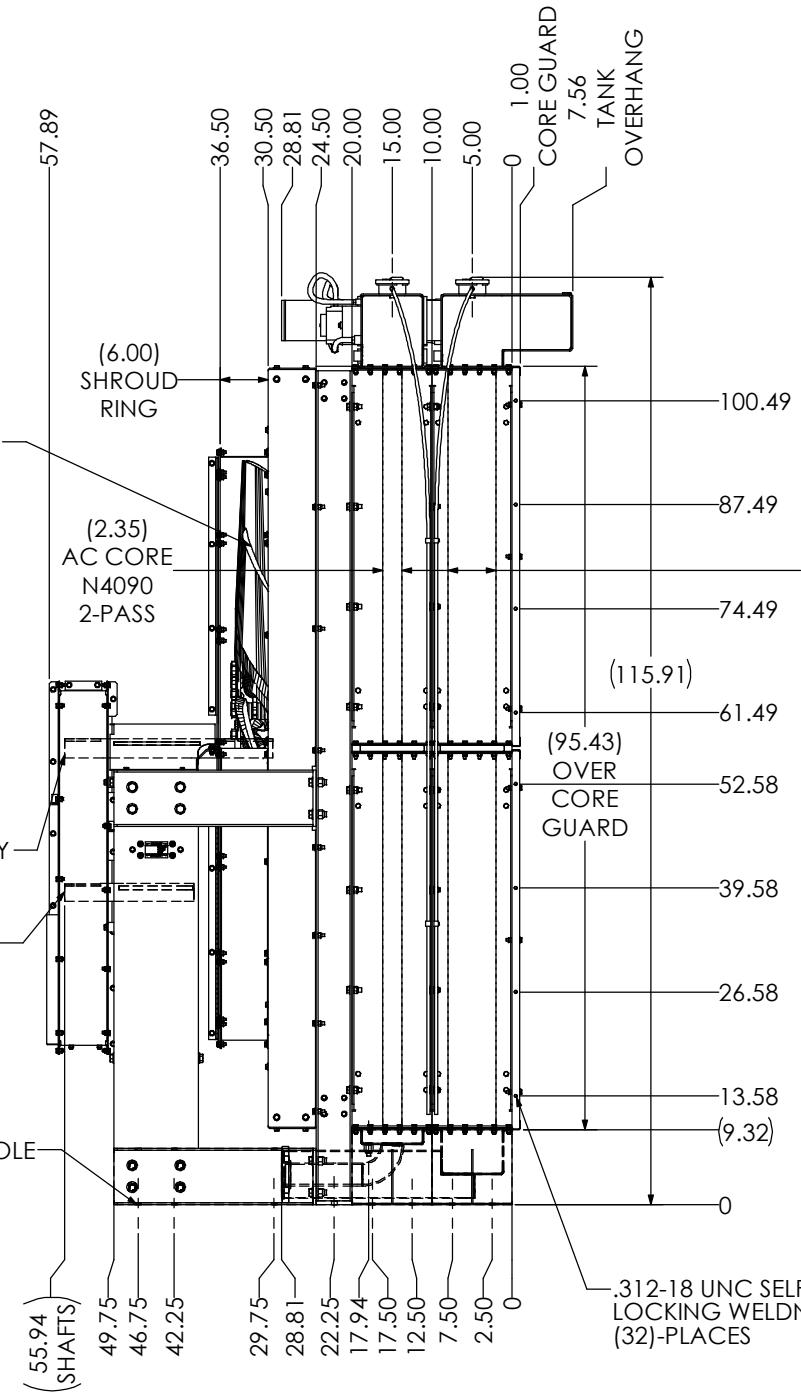
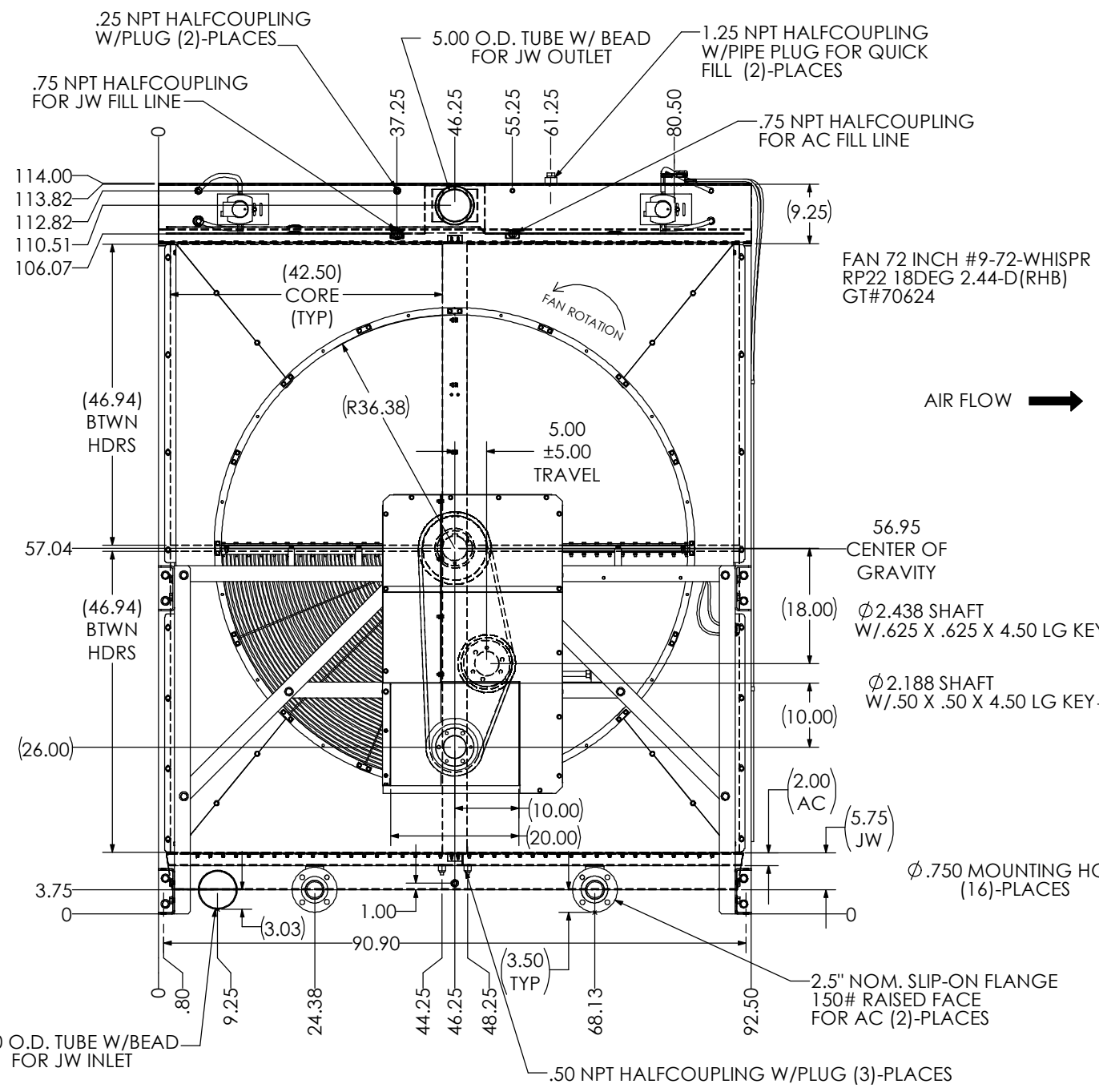
REVISIONS			
REV.	ECN #	DATE	DESIGNER

ITEM NO.	PART NO.	DESCRIPTION	QTY.
1	5592	BOLTED LG RAD ASSY (B)	1
2	2890B-LSG	LEVEL SWITCH GAGE	2
SHIP LOOSE ITEM			
3	5592-DK	DRIVE KIT (F55 954 RPM)	1



DRIVE KIT INFORMATION
 ENGINE RPM: 1200
 FAN RPM: 954
 FAN POWER DRAW
 88.9 HP @STD
 79.7 HP @DESIGN

2890B/LSG NOTES:
 FLOAT OPERATED LEVEL GAUGE W/ SPDT SWITCH
 RATED: 10A @125 VAC
 .05A @125 VDC
 10A @ 30 VDC



- NOTES:**
- 55 SQ. FT. F-SERIES.
 - DRIVE KITS SHOWN FOR REFERENCE ONLY, TO BE SHIPPED LOOSE.
 - ESTIMATED RJ CAPACITY = 69.90 GAL. W/ 15.95 GAL OF EXPANSION.
 - ESTIMATED RA CAPACITY = 36.09 GAL. W/ 7.44 GAL OF EXPANSION.

COATING: BLACK (B)
 ESTIMATED UNIT DRY WEIGHT = 4444 LBS.

GENERAL TOLERANCE		STANDARD TOLERANCE		CUSTOMER REF.	
SUPERCEDE STANDARD TOLERANCES AND ARE:		UNLESS OTHERWISE SPECIFIED ARE:		CUSTOMER REF.	
MTG FEATURE SIZE	+/- .03	2 PLACE DIMENSIONS:	+/- .19	CUSTOMER:	EPG
MTG LOCATION	+/- .13	3 PLACE DIMENSIONS:	+/- .063	CUSTOMER NUMBER:	F55-48-1P/JW-2PAC-AS
MTG HOLE LOCATION CTR-CTR	+/- .08	ALL DIMENSIONS SHOWN ARE IN INCHES		DRAWING NO.:	5592-AS
CONNECTION SIZE	+/- .03	ALL ANGLED DIMENSIONS ARE REFERENCE		ISSUE NO.:	P-03
CONNECTION LOCATION	+/- .25	THIRD ANGLE PROJECTION		DESCRIPTION:	BOLTED LG RAD ASSY (B)
CONNECTION CTRN-CTR	+/- .13	THIRD ANGLE PROJECTION		SCALE:	1:12
THIS PRINT IS PROPERTY OF COVRAD GT AND/OR ITS SUBSIDIARIES AND MUST NOT BE USED IN ANY MANNER DETRIMENTAL TO THEIR INTERESTS		DESIGNED BY:	WC	DATE:	1/6/2013
		DRAWN BY:	WC	SHEET:	1 of 1 (D)
		CHECKED BY:		PART NO.:	5592/AS